

## Application Data Sheet: Garlock 3-D Seal

Name: \_\_\_\_\_  
 Company: \_\_\_\_\_  
 Address: \_\_\_\_\_  
 Phone No.: \_\_\_\_\_  
 Fax No.: \_\_\_\_\_  
 E-Mail: \_\_\_\_\_

Date	_____	
Enquiry No.	_____	
Attachment	Yes	No

Garlock ID: \_\_\_\_\_

### Current Seal

#### Equipment:

- Centrifugal Pump  
 Positive Displacement Pump  
 Progressive Cavity Pump  
 Mixer/Agitator  
 Other: \_\_\_\_\_

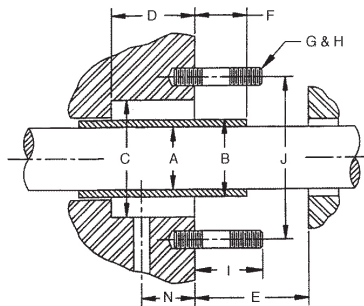
Survey Tag No: \_\_\_\_\_

Current Seal Mfr: \_\_\_\_\_

Model No: \_\_\_\_\_

Location: \_\_\_\_\_

### Dimensional Data:



A. Shaft Diameter: \_\_\_\_\_ F. Sleeve Extension: \_\_\_\_\_

Hardened:  Yes  No

G. Bolt Diameter: \_\_\_\_\_

B. Sleeve Diameter: \_\_\_\_\_ H. Bolt Quantity: \_\_\_\_\_

C. Bore Diameter: \_\_\_\_\_ I. Bolt Extension: \_\_\_\_\_

D. Bore Depth: \_\_\_\_\_ J. Bolt Circle: \_\_\_\_\_

E. First Obstruction: \_\_\_\_\_

Bolt Orientation: \_\_\_\_\_ Max. Gland Diameter: \_\_\_\_\_

Gland Shape:  Round  Elliptical Flush Port \_\_\_\_\_ Size: \_\_\_\_\_

Does the shaft step down below the sleeve extension?  Yes  No Diameter: \_\_\_\_\_

### GARLOCK GMBH

an Enpro Company

Falkenweg 1, 41468 Neuss, Germany

+49 2131 349 0

garlockgmbh@garlock.com

www.garlockeurope.com

United States of America

Canada

Mexico

Germany

China

Singapore

Taiwan

Australia

## Application Data Sheet: Garlock 3-D Seal

### Elastomer

EPR       Fluoroelastomer       Perfluoroelastomer

Other: \_\_\_\_\_

### Mixer Detail

M. Window Width: \_\_\_\_\_

N. Window Height: \_\_\_\_\_

O. Distance to Coupling: \_\_\_\_\_

Size: \_\_\_\_\_

Is stuffing box removable?     Yes     No

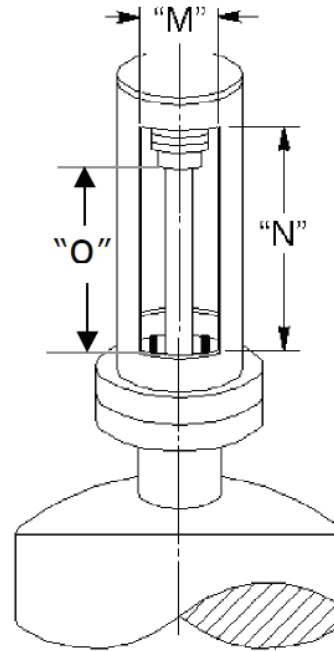
If yes, what is the:

Box Length: \_\_\_\_\_

Box Circle: \_\_\_\_\_

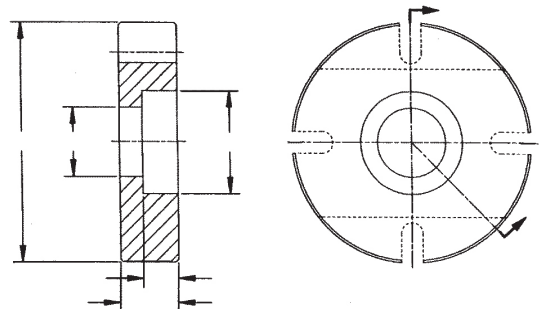
Box Quantity: \_\_\_\_\_

Box Size: \_\_\_\_\_



### Gland Detail:

1. Mark tap location(s) / Flush or Barrier
2. Mark bolt locations and indicate if drilled or slotted



If round gland cannot be used, provide additional details:

---



---



---



---



---

### GARLOCK GMBH

an Enpro Company

Falkenweg 1, 41468 Neuss, Germany

+49 2131 349 0

garlockgmbh@garlock.com

www.garlockeurope.com

United States of America

Canada

Mexico

Germany

China

Singapore

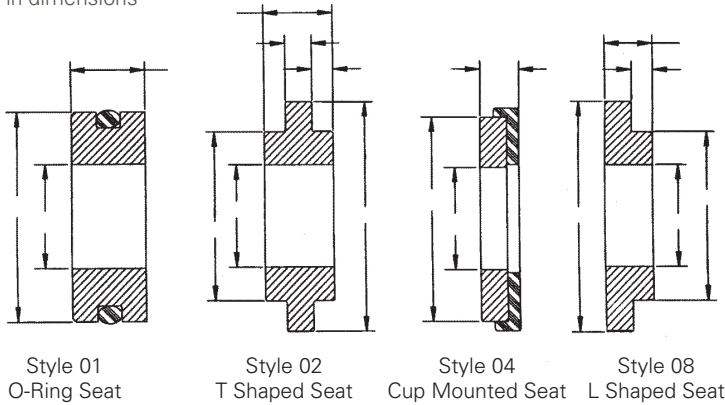
Taiwan

Australia

## Application Data Sheet: Garlock 3-D Seal

### Typical Seat Configuration:

Fill in dimensions



### Application Data

#### Process Information

Process/Fluid: \_\_\_\_\_ Max. Stuffing Box: \_\_\_\_\_

Shaft Speed (RPM): \_\_\_\_\_ Process Type

Temperature (°C): \_\_\_\_\_  Corrosive  Abrasive

Pressure (PSIG): \_\_\_\_\_ Viscosity: \_\_\_\_\_

Suction: \_\_\_\_\_ Movement of Shaft

Discharge: \_\_\_\_\_ Axial: \_\_\_\_\_ Max.: \_\_\_\_\_

Vessel: \_\_\_\_\_ Radial: \_\_\_\_\_ Max.: \_\_\_\_\_

#### Environmental Controls

Can process be flushed?  Yes  No Media: \_\_\_\_\_

Cooling available?  Yes  No Media: \_\_\_\_\_

Barrier fluid available?  Yes  No Media: \_\_\_\_\_

#### Present Sealing Device

Packing: \_\_\_\_\_ Approximate Cost: \_\_\_\_\_

Seal Style: \_\_\_\_\_ Approximate Life: \_\_\_\_\_

Manufacturer: \_\_\_\_\_

**Other Configurations:** Please send drawing via E-Mail

**GARLOCK GMBH**  
an Enpro Company

Falkenweg 1, 41468 Neuss, Germany  
+49 2131 349 0  
garlockgmbh@garlock.com  
www.garlockeurope.com

United States of America  
Canada  
Mexico

Germany  
China  
Singapore

Taiwan  
Australia